

## DS-K1T671TM-3XF Face Recognition Terminal

DS-K1T671TM-3XF face recognition terminal is a kind of access control device integrated with temperature screening function. It can fast taking skin-surface temperature and upload abnormal temperature event to the center, which can be widely applied in multiple scenarios, such as enterprises, stations, dwellings, factories, schools, campus and so on.



### Available Model

DS-K1T671TM-3XF

### Features

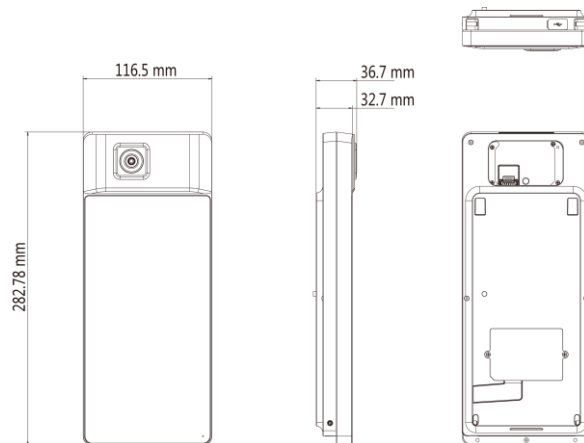
- Supports Vanadium Oxide uncooled sensor to measure target's temperature
  - Temperature measuring range: 30 °C to 45 °C (86 °F to 113 °F), accuracy: ± 0.5 °C
  - Recognition distance: 0.5 to 1.5 m
  - Fast temperature measurement mode: Detects face and takes temperature without identity authentication
  - Multiple authentication modes are available: card and temperature, face and temperature, card and face and temperature, etc
  - Face mask wearing alert: If the recognizing face does not wear a mask, the device will prompt a voice reminder. At the same time, the authentication or attendance is valid
  - Forced mask wearing alert: If the recognizing face does not wear a mask, the device will prompt a voice reminder. At the same time, the authentication or attendance will be failed
  - Displays temperature measurement results on the authentication page
  - Triggers voice prompt when detecting abnormal temperature
  - Configurable door status (open/close) when detecting abnormal temperature
  - Transmits online and offline temperature information to the client software via TCP/IP communication and saves the data on the client software
  - Face recognition duration < 0.2 s/User; face recognition accuracy rate ≥ 99%
  - 50,000 face capacity, 50,000 card capacity, and 100,000 event capacity
  - Suggested height for face recognition: between 1.4 m and 1.9 m
  - Supports 6 attendance status, including check in, check out, break in, break out, overtime in, overtime out
  - Connects to external access controller or Wiegand card reader via Wiegand protocol
  - Connects to secure door control unit via RS-485 protocol to avoid the door opening when the terminal is destroyed
- \* Biometric recognition products are not 100% applicable to anti-spoofing environments. If you require a higher security level, use multiple authentication modes.**
- \* In order to get an accurate temperature, after the device is powered on, you should wait for 90 min to warm the device up.**



## Specification

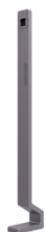
Model		DS-K1T671TM-3XF
Temperature measurement	Temperature range	30 °C to 45 °C (86 °F to 113 °F)
	Sensor	Vanadium Oxide uncooled sensor
	Resolution	120 × 160
	Frame rate	25 fps
	Accuracy	± 0.5 °C, without black body calibration
	Measuring distance	0.5 to 1.5 m
Screen	Size	7-inch
	Type	Touch screen
	Operation method	Touch screen
Camera	Pixel	2 MP
	Lens	Dual-lens
Network	Wired network	Support, 10/100/1000 Mbps self-adaptive
Interface	Network interface	1
	Lock output	1
	Exit button	1
	Door contact input	1
Authentication	Card type	Mifare 1 card
Function	Face anti-spoofing	Support
	Audio prompt	Support
Others	Working temperature	0 °C to 50 °C (32 °F to 122 °F) For temperature measurement: 10 °C to 35 °C (50 °F to 95 °F)
	Working humidity	10 to 90% (No condensing)
	Application environment	Indoor

## Dimension



## Accessory

DS-KAB671-B



Distributed by



www.itecgroup.co.za  
011 236 2000



**Headquarters**

No.555 Qianmo Road, Binjiang District,  
Hangzhou 310051, China  
T +86-571-8807-5998  
overseasbusiness@hikvision.com

**Hikvision USA**

T +1-909-895-0400  
sales.usa@hikvision.com

**Hikvision Australia**

T +61-2-8599-4233  
salesau@hikvision.com

**Hikvision India**

T +91-22-28469900  
sales@pramahikvision.com

**Hikvision Canada**

T +1-866-200-6690  
sales.canada@hikvision.com

**Hikvision Thailand**

T +662-275-9949  
sales.thailand@hikvision.com

**Hikvision Europe**

T +31-23-5542770  
sales.eu@hikvision.com

**Hikvision Italy**

T +39-0438-6902  
info.it@hikvision.com

**Hikvision Brazil**

T +55 11 3318-0050  
Latam.support@hikvision.com

**Hikvision Turkey**

T +90 (216)521 7070- 7074  
sales.tr@hikvision.com

**Hikvision Malaysia**

T +601-7652-2413  
sales.my@hikvision.com

**Hikvision UK & Ireland**

T +01628-902140  
sales.uk@hikvision.com

**Hikvision South Africa**

Tel: +27 (10) 0351172  
sale.africa@hikvision.com

**Hikvision France**

T +33(0)1-85-330-450  
info.fr@hikvision.com

**Hikvision Kazakhstan**

T +7-727-9730667  
nikia.panfilov@hikvision.ru

**Hikvision Vietnam**

T +84-974270888  
sales.vt@hikvision.com

**Hikvision UAE**

T +971-4-4432090  
salesme@hikvision.com

**Hikvision Singapore**

T +65-6684-4718  
sg@hikvision.com

**Hikvision Spain**

T +34-91-737-16-55  
info.es@hikvision.com

**Hikvision Tashkent**

T +99-87-1238-9438  
uzb@hikvision.ru

**Hikvision Hong Kong**

T +852-2151-1761  
info.hk@hikvision.com

**Hikvision Russia**

T +7-495-669-67-99  
saleru@hikvision.com

**Hikvision Korea**

T +82-(0)31-731-8817  
sales.korea@hikvision.com

**Hikvision Poland**

T +48-22-460-01-50  
info.pl@hikvision.com

**Hikvision Indonesia**

T +62-21-2933759  
Sales.Indonesia@hikvision.com

**Hikvision Colombia**

sales.colombia@hikvision.com